

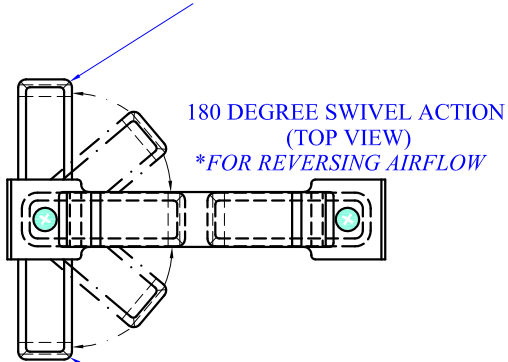
# ENDLESS BREEZE

U.S. PATENT #7419368

by FAN-TASTIC VENT CORP.

## PET CRATE HANDLE & SWIVEL LEGS - HOW TO USE

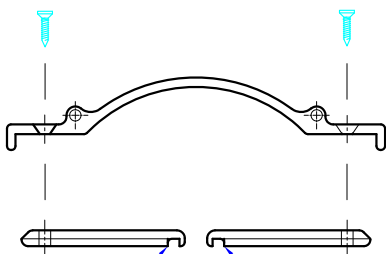
SET ARMS REARWARD TO PULL AIR ACROSS THE PET CAGE.



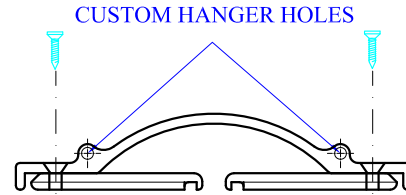
180 DEGREE SWIVEL ACTION (TOP VIEW)  
\*FOR REVERSING AIRFLOW

SET ARMS FORWARD TO PUSH AIR ACROSS THE PET CAGE.

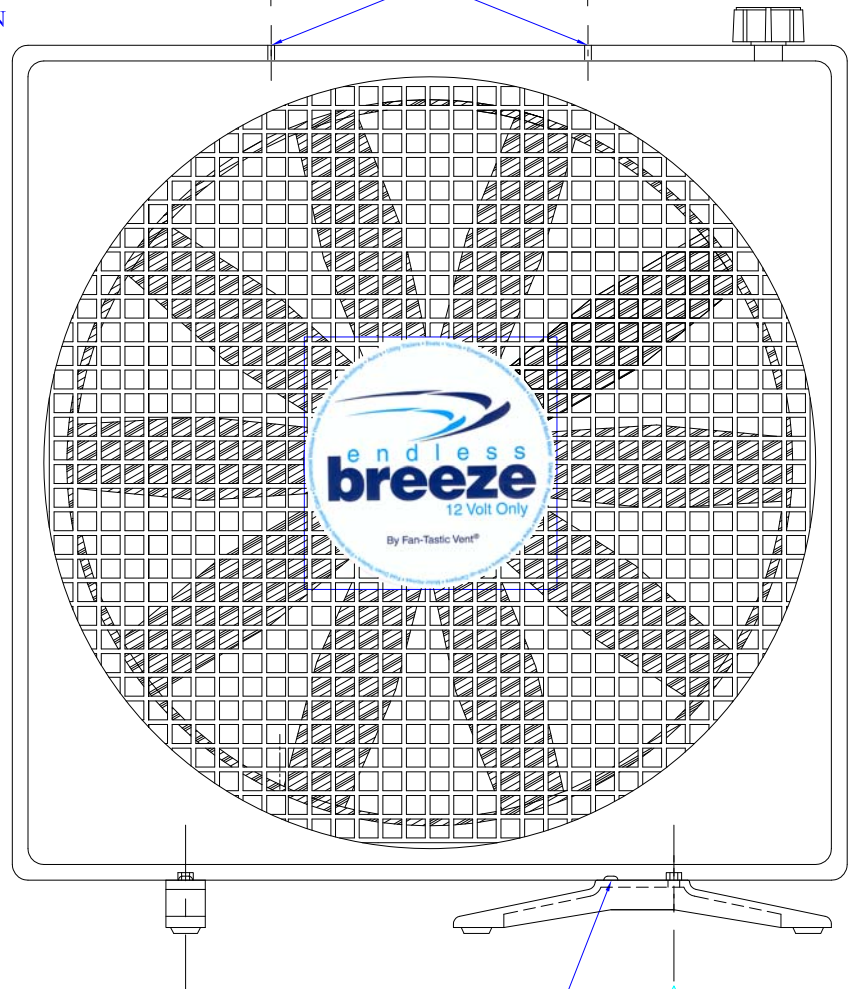
HANDLE W/SWING-OUT ARMS (EXPLODED SIDE VIEW)



CAGE ATTACHMENT GROOVE



HANDLE MOUNTING HOLES



LEG LOCKING KNUB

LEG MOUNTING SCREW

**\*NOTE\*** TURN LEGS TO THE DESIRED POSITION IN A CLOCKWISE ROTATION (COUNTERCLOCKWISE ROTATION MAY LOOSEN LEGS).



SWIVEL LEG (TOP VIEW)